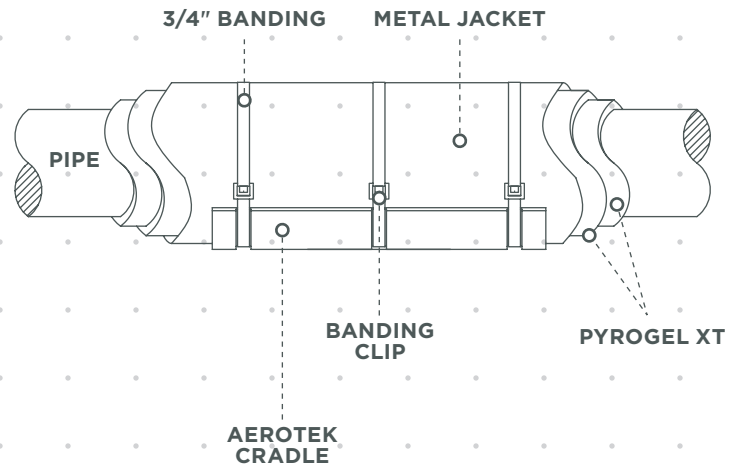


# AeroTek Cradle



The AeroTek Cradle is a cost-effective way to protect pipe insulation from support point abrasion in hot or cold services. Fiber reinforced, vinyl ester resin is molded to the exact dimensions of the insulation system. The composite cradle is banded to the piping assembly at the support locations using stainless steel bands. The bands are recessed in grooves cut into the outer surface of the cradle to prevent contact with the support underneath. Full scale laboratory testing indicates only nominal wear of the cradle after simulated multi-year service.



## BENEFITS

- » Eliminates the need for pre-insulated pipe supports
- » Does not require a break in insulation like traditional welded or clamp on supports
- » Compatible with any type of load bearing insulation.
- » Eliminates corrosion issues associated with traditional metallic supports
- » Lightweight for ease of installation

## SPECIFICATIONS

<b>COMPOSITION</b>	APP-VEFR
<b>MAX COMPRESSIVE STRENGTH</b>	Depends on load bearing insulation
<b>TEMPERATURE RANGE</b>	-320°F to +400°F
<b>INSTALLATION</b>	Field install, no welding
<b>REQUIRED ACCESSORIES</b>	Banding clip, fastener
<b>CUSTOM MANUFACTURING</b>	Will fabricate to your specific dimensions